

PORTABLE VISCOMETER: PIVI

The only portable viscometer as stable in process as in lab.

PRINCIPLE

The active part of the sensor is a vibrating rod, held in oscillation by a constant electrical power.

The vibration amplitude varies according to the product viscosity where the rod is immersed.

OPTIONS :

- Sensor temperature up to 200°C
- Temperature measurement
- Correlation table programming
- Current output

ACCESSORIES :

- Lab stand
- Lab desk "support"
- Measuring tube

ADVANTAGES

Especially developed for field, factory and laboratory viscosity measurement

Easy-to-clean
No wear part, Low maintenance
Simple, Rugged, Accurate
and RELIABLE

Instantaneous digital display with 40 measurements memory and RS 232 link.

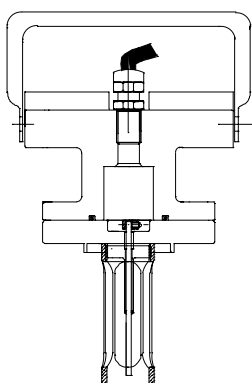
OPERATING CONDITIONS

- Sample temperature : 200°C
- Sensor temperature : 100°C
- Sensor watertightness : IP 67
- Sensor material : 316 L stainless steel
- Autonomy : 4 hours

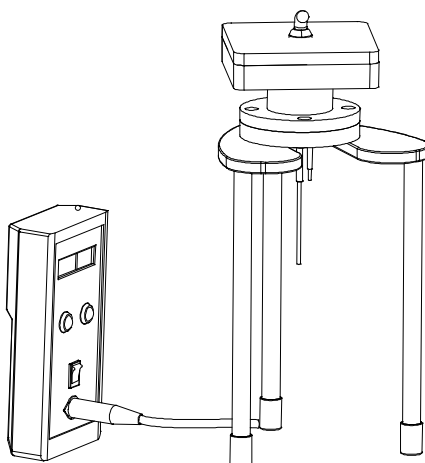
MEASUREMENT RANGE

Any range from 0,1-100 mPa.s to 100-100 000 mPa.s

Repeatability : $\pm 0,5$ % FS



Hand-held



Lab stand



SOFRASER

+33 (0)2 38 85 77 12

Z. I. 15, rue Pierre Nobel
 45700 VILLEMANDEUR (FRANCE)
 Fax +33 (0)2 38 85 99 65